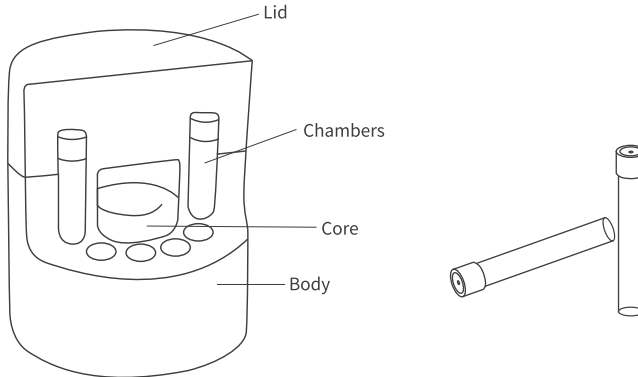


Cell Freezing Container

BS-05-CFC For 12 x 5mL Cryogenic Vials



Biosharp Cell Freezing Container, can provide alcohol-free freezing at the rate of $-1^{\circ}\text{C}/\text{minute}$ that is ideal for cryopreservation of most cells and cell lines with a -80°C freezer. Cell Freezing Container is made of cross-linked polyethylene foam with a solid state core (metal ring). The foam is non-absorbent and won't affect nearby frozen samples. Freezing profiles are consistent and reproducible.

Features:

- Ease to use
- Alcohol and fluid-free freezing
- Lower cost of use than alcohol-based devices
- High cell recovery and cell viability
- Reproducibility

Instruction:

1. Place sample vials containing cell suspension in each well of the Cell Freezing Container under room temperature. Fully seat the lid on Cell Freezing Container.
2. Place Cell Freezing Container upright into a -80°C freezer. Freeze for minimum four hours to achieve standard cryopreservation effect.
3. Take out Cell Freezing Container and transfer vials immediately to Liquid Nitrogen or for other following applications.
4. Place Cell Freezing Container in room temperature for next freezing until the foam and core are fully return to room temperature.

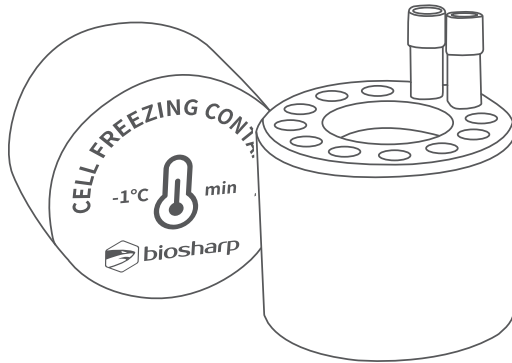
Cautions:

1. Ensure that there is at least 2.5cm of free space clearance around Cell Freezing Container when placing in the -80°C freezer.
2. Make sure the core is seated in the bottom of the central cavity, and lid is fully seated on the container before placing in the freezer.
3. Maximum temperature exposure: 60°C . Avoid prolonged exposure to UV light sources.
4. It is strongly recommended that all frozen cell cultures be checked for viability before the stock culture is terminated.



程序降温盒

BS-05-CFC 适用12×5ml冻存管



Biosharp程序降温盒不需要添加任何醇类液体,可在-80°C的冰箱条件下,为细胞提供-1°C每分的降温速率,满足多数细胞冻存的最优条件。该程序降温盒采用高级聚乙烯泡沫材料制成,内含合金内芯,对冻存环境没有影响,不会影响周围其他冻存样品。细胞冻存效果一致且实验重复性好。

特点:

- 使用方便
- 无需醇类液体进行冷冻
- 后续使用成本较低
- 更好的细胞活力
- 实验重复性好

使用方法:

- 1.将需要装有细胞的冻存管放入室温存放的程序降温盒内,盖上降温盒盖。
- 2.将程序降温盒放入-80°C冰箱,冷冻4小时以上以达到冻存效果。
- 3.取出程序降温盒,迅速将冻存管移至液氮环境储存或进行其他后续操作。
- 4.使用后请将程序降温盒置于室温环境,待程序降温盒及合金内芯恢复至室温后备用。

注意事项:

- 1.放入冰箱前请保证金属圈是平躺在盒底的,且盖子是盖住的。
- 2.放入冰箱后避免与其他物质紧挨,务必保证周围有2.5cm间隙。
- 3.闲置时请置于干燥与阴凉处,尽量避免60°C以上高温及紫外光线。
- 4.强烈建议冻存后检查细胞活性后,再终止原始细胞株的培养。

